



# 32211

- Popular item  
- SKF Explorer

## Tapered roller bearings, single row

### Bearing data

[Tolerances,](#)

Normal and CL7C, CLN, Normal and CL, deviating width

### Bearing interfaces

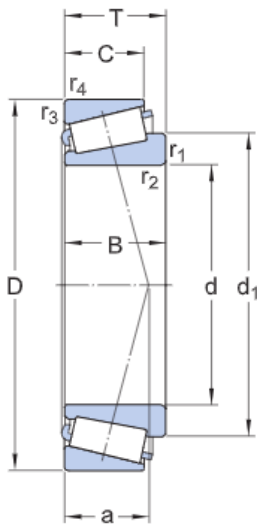
[Seat tolerances for standard conditions,](#)

[Tolerances and resultant fit](#)

## Technical specification

Dimension series

???

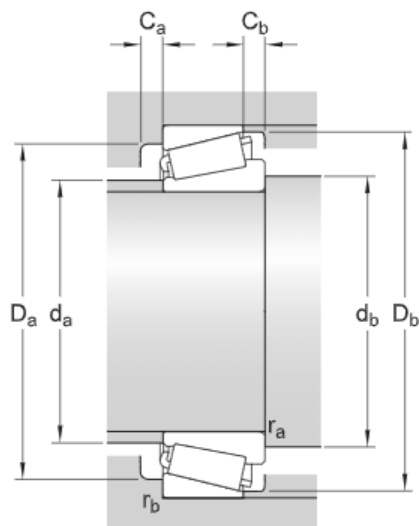


### DIMENSIONS

d	55 mm	Bore diameter
D	100 mm	Outside diameter
T	26.75 mm	Total bearing width
d1	≈75.33 mm	Inner ring shoulder diameter
B	25 mm	Width inner ring
C	21 mm	Width outer ring
r1,2	min.2 mm	Corner radius inner ring
r3,4	min.1.5 mm	Corner radius outer ring
a	22.253 mm	Distance pressure point

### ABUTMENT DIMENSIONS

da	max.64 mm	Abutment diameter shaft
	min.65	Abutment



db	mm	diameter shaft
Da	min.87 mm	Abutment diameter housing
Da	max.92 mm	Abutment diameter housing
Db	min.95 mm	Abutment diameter housing
Ca	min.4 mm	Abutment housing - axial space at the large side face/ both sides of the outer ring
Cb	min.5.5 mm	Abutment housing - axial space at the small side face/ both sides of the outer ring
ra	max.2 mm	Fillet radius
rb	max.1.5 mm	Fillet radius

CALCULATION DATA

Basic dynamic load rating	C	130 kN
Basic static load rating	C <sub>0</sub>	129 kN
Fatigue load limit	P <sub>u</sub>	15 kN
Reference speed		5 300 r/min
Limiting speed		6 700 r/min
Calculation factor	e	0.4
Calculation factor	Y	1.5
Calculation factor	Y <sub>0</sub>	0.8

MASS

Mass bearing	0.84 kg
--------------	---------